



HERDER® Cavalier MBK 120

MACHINE FACTORY HERDER B.V.



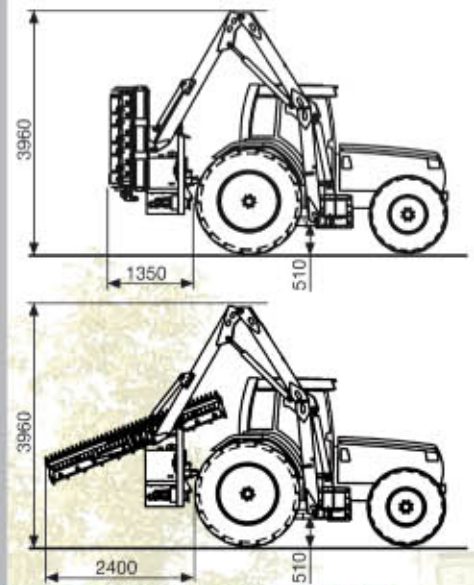
This machine is strong because of its price – quality relation



Transport



Transport height with Eco mower 150 cms will be max. 4 m.



Supporting frame



Supporting frame standard constructed with oil cooler, tool box and lighting



Transport height with 3 m. mowing bucket will be max. 4 m.

Operation



- Standard electrical 1-handle control
- Attachment on- and off to operate from joy-stick
- Electrical floating position (adjustable) with a separate pump
- Electrical flowing position

Stabilization cylinder



Standard stabilization cylinder



Stabilization cylinder for suspension front axle

HERDER

Optional equipment at extra cost



Supporting wheel for more stabilization



Hydraulic operating sliding boom – slid in



Supporting plate for mowing buckets



Sliding boom 70 cms. – slid out



Counterweights





MACHINE FACTORY HERDER B.V.

Technical details Cavalier MBK120

Pump capacity at 540 revs/min. PTO

● Attachment 150 bar	0-40 ltrs
● Attachment 330 bar	90 ltrs
● Floating position	14 ltrs
● Control valve	60 ltrs
● Minimal tractor power	60 kW
● Minimal tractor weight	4500 kgs
● Minimal built-in measurement	100 cms
● Oil cooler	yes
● Hydraulic oil tank capacity	150 ltrs
● Lifting capacity with standard boom length	600 kgs
● Standard reach of the boom including mowing bucket	705 cms

Optional equipment at extra cost

- Supporting wheel or supporting leg, control through tractor hydraulics
- Extra hydraulic supplies to drive, adjust and control of special attachments
- Sliding boom 70 cms., control through tractor hydraulics
- Disconnecting construction for the machine



HERDER B.V., P.O. Box 8010, NL-4330 EA Middelburg

Telephone +31 (0)118 679 500

Spare parts +31 (0)118 679 550

Fax +31 (0)118 638 730

Herculesweg 6, Industrial zone "Arnestein", NL-4338 PL Middelburg

E-mail: sales@herder.nl

Website: <http://www.herder.nl>

Dealer: